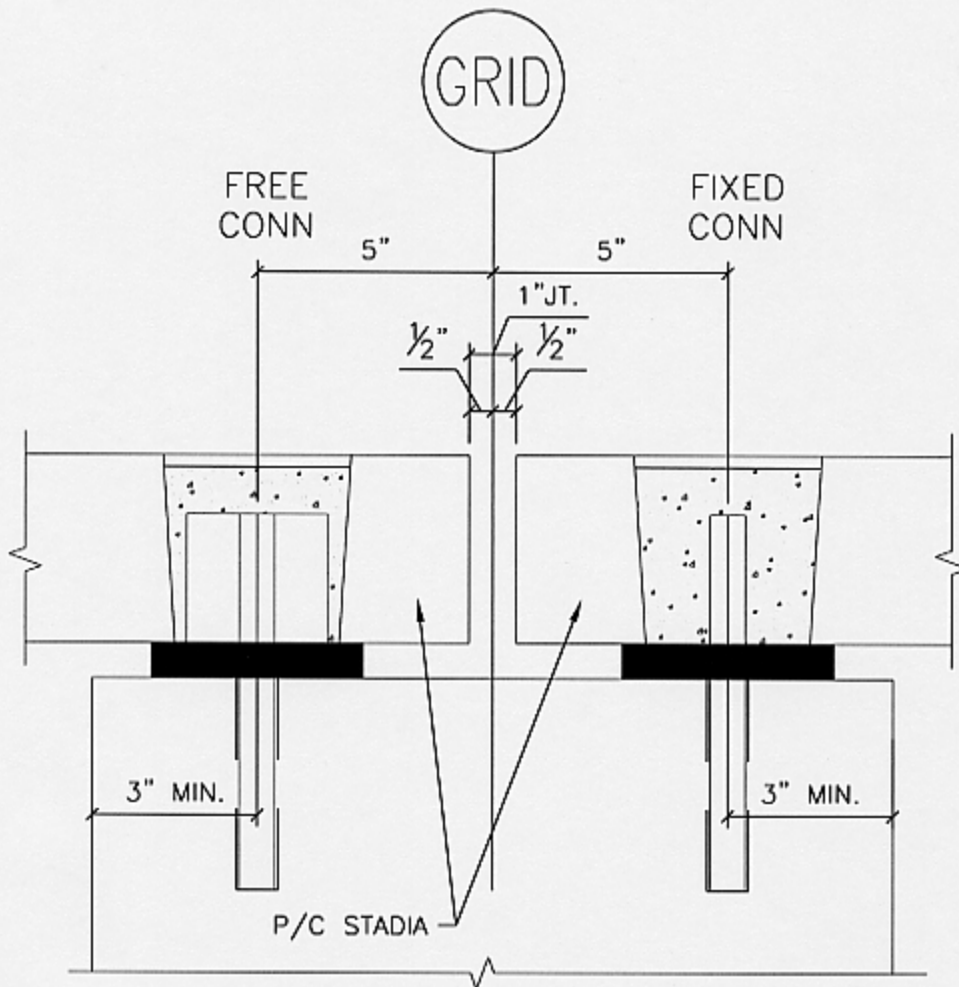


Drawing Name: F:\karnold\Jose Project\MapaStadium\STADALUP\CRACKS\_fv.dwg Last Modified: Mar 27, 2002 - 9:59am Plotted on: Mar 27, 2002 - 9:59am by karnold



STADIA SEAT TO PRECAST RAKER BEAM CONNECTION

(FRONT VIEW)

OPTION: CAST-IN INSERTS MAY BE SUBSTITUTED FOR FIELD DRILLED HOLES.



**MID-ATLANTIC  
PRECAST  
ASSOCIATION**

MID-ATLANTIC PRECAST ASSOCIATION

P.O. BOX 831

HOCKESSIN, DE 19707

WWW.MAPAPRECAST.ORG