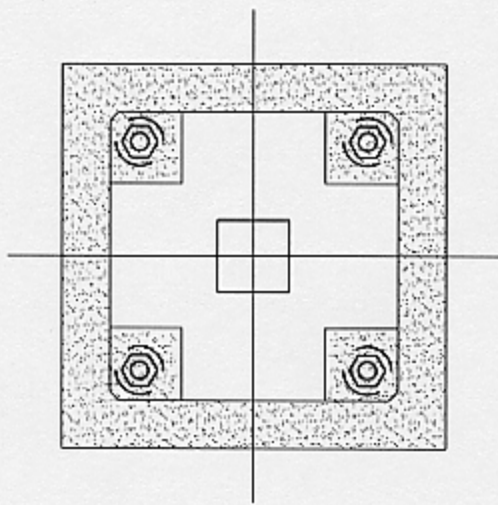
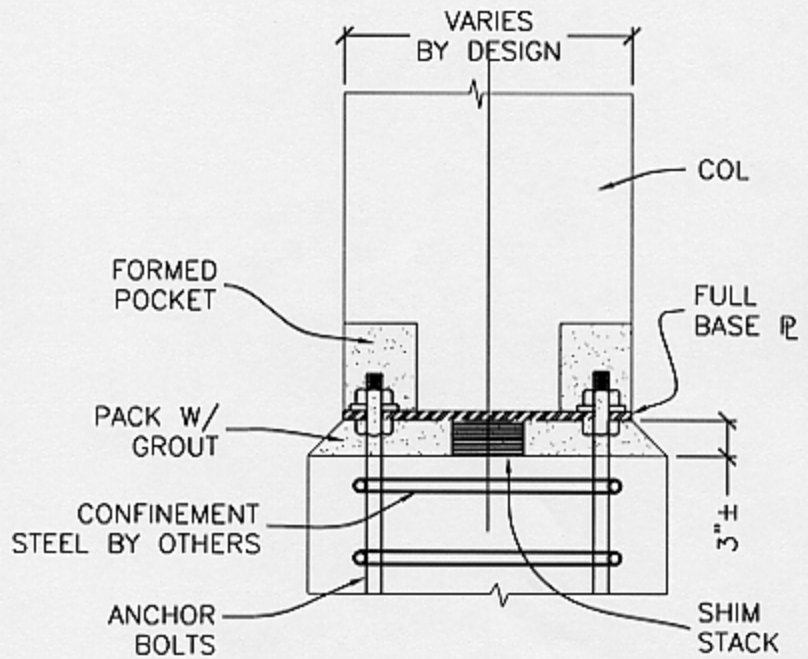


Drawing Name: F:\kennel\jess Project\mapa-randy.dwg Last Modified: Mar 27, 2002 - 8:56am Picked on: Mar 27, 2002 - 8:56am by kennel



PLAN VIEW



COLUMN BASE CONNECTION (FULL BASE PLATE)



**MID-ATLANTIC
PRECAST
ASSOCIATION**

MID-ATLANTIC PRECAST ASSOCIATION

P.O. BOX 831

HOCKESSIN, DE 19707

WWW.MAPAPRECAST.ORG