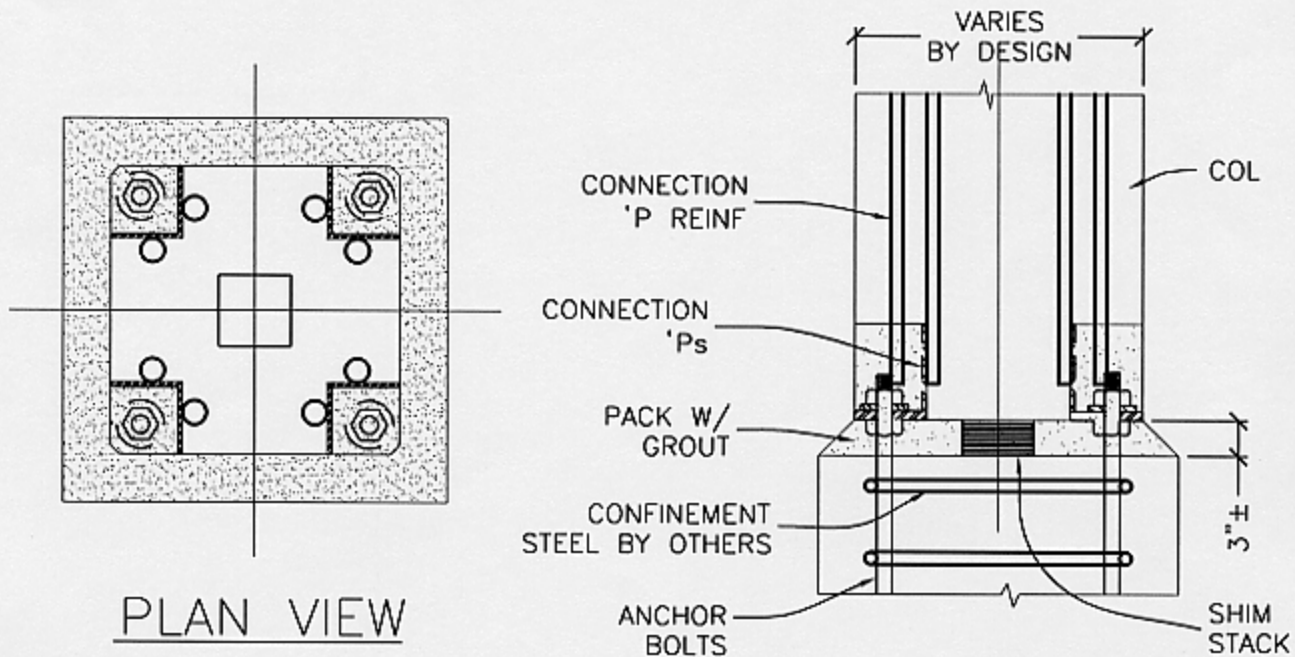


Drawing Name: F:\varenoad\jasa Project\MAPA-ready.dwg Last Modified: Mar 27, 2002 - 8:53am Plotted on: Mar 27, 2002 - 8:53am by kernold



COLUMN BASE CONNECTION (ANCHOR BOLT)



**MID-ATLANTIC
PRECAST
ASSOCIATION**

MID-ATLANTIC PRECAST ASSOCIATION

P.O. BOX 831

HOCKESSIN, DE 19707

WWW.MAPAPRECAST.ORG